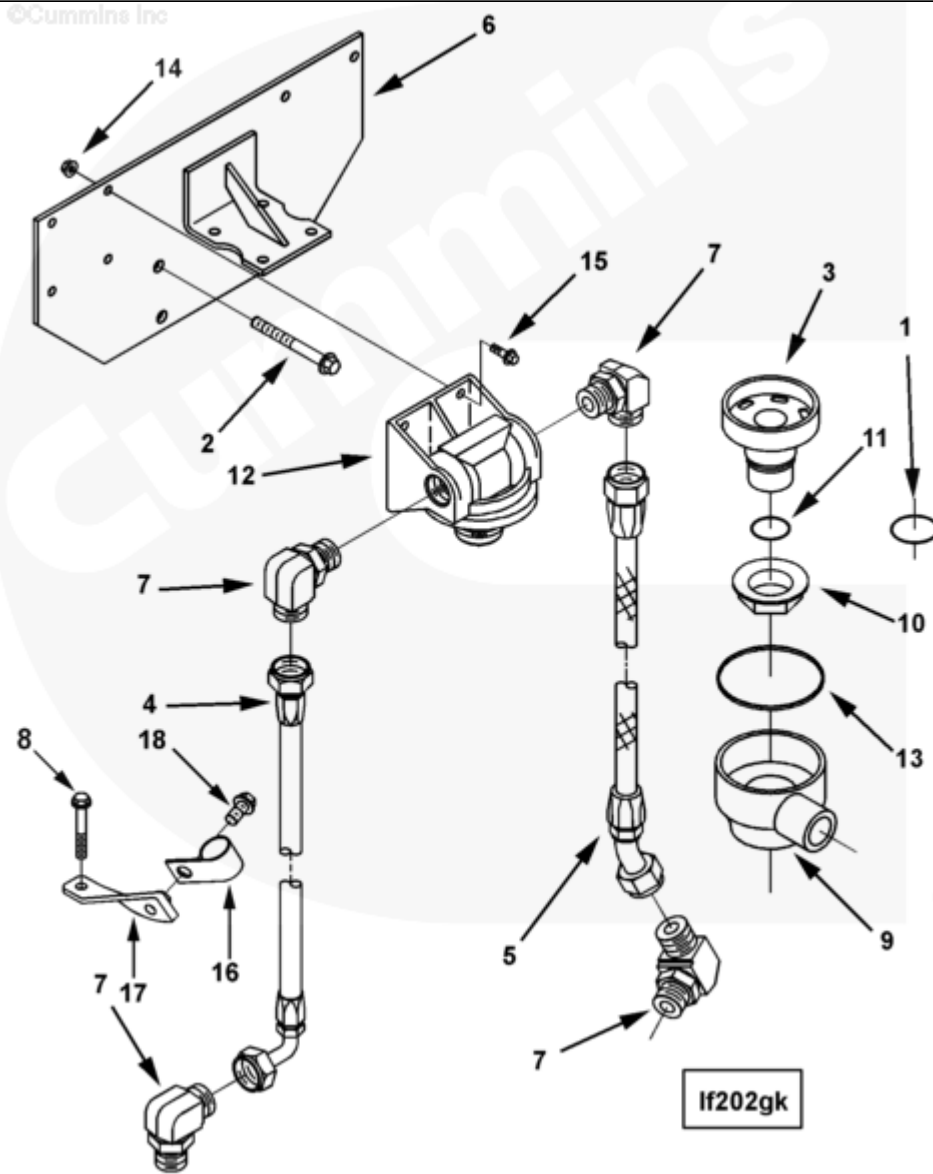




# Parts Catalog - Option Detail

Electronic Parts Catalog - Option Detail				
Option	Group	Graphic	Film Card	Date
LF2058-06	07.03	lf202gk	II	18-OCT-05
<b>Engines</b>	ISM CM570, ISM CM570/870, ISM CM875, ISM CM876, ISM CM876 E, ISM11 CM876 M103, ISM11 CM876 SN, M11 CELECT, M11 CELECT PLUS, M11 MECHANICAL, QSM11 CM570, QSM11 CM876			



[SMALL](#) | [MEDIUM](#) | [LARGE](#)

Cart	Ref No	Part Number	Part Description	Required	Remarks
<a href="#">View My Cart</a>					
		LF2058-06	Full Flow Oil Filter		

					Full Flow Oil Filter
					Oil Filter Location: Front
					on Cylinder Head on Combo
					Bracket
					Oil Filter Supplier: Cummins
					Engine Position: Vertical
					Standard
					Oil Filter Type: Combination
					Full Flow/Bypass
					Decal Provided: None
					Oil Filter Plumbing: Cummins
					Mounted
					Filter Model: LF9001
					Filter Length: 299.5mm
					(11.79 in.)
					Filter Removal Clearance:
					50mm (1.97 in.)
					Oil Filter Thread Size: M95
					X 2.5
					Oil Flow Control Thrm Opening
<input type="checkbox"/>	1	<a href="#">3048182</a>	O-Ring Seal	1	
<input type="checkbox"/>	2	<a href="#">3089188</a>	Hexagon Flange Head Cap Screw	3	M12 X 1.75 X 110.
<input type="checkbox"/>	3	<a href="#">3101540</a>	Filter Head Adapter	1	
<input type="checkbox"/>	4	<a href="#">3349380</a>	Flexible Hose	1	
<input type="checkbox"/>	5	<a href="#">3349381</a>	Flexible Hose	1	
<input type="checkbox"/>	6	<a href="#">4933699</a>	Filter Bracket	1	
<input type="checkbox"/>	7	<a href="#">3393258</a>	Male Adapter Elbow	4	
<input type="checkbox"/>	8	<a href="#">3966976</a>	Hexagon Flange Head Cap Screw	1	M8 x 1.25 x 65
<input type="checkbox"/>	9	<a href="#">3406944</a>	Filter Head Cover	1	

<input type="checkbox"/>	10	<a href="#">3406946</a>	Hexagon Flange Nut	1	
<input type="checkbox"/>	11	<a href="#">3406947</a>	O-Ring Seal	1	
<input type="checkbox"/>	12	<a href="#">3406949</a>	Lubricating Oil Filter Head	1	
<input type="checkbox"/>	13	<a href="#">3406952</a>	Rectangular Ring Seal	1	
<input type="checkbox"/>	14	<a href="#">3900589</a>	Hexagon Flange Nut	5	M8 X 1.25
<input type="checkbox"/>	15	<a href="#">3900631</a>	Hexagon Flange Head Cap Screw	4	M8 X 1.25 X 25.
<input type="checkbox"/>	16	<a href="#">67950</a>	Clip	2	# 16
<input type="checkbox"/>	17	<a href="#">3349339</a>	Hose Brace	1	
<input type="checkbox"/>	18	<a href="#">3902460</a>	Hexagon Flange Head Cap Screw	1	M10 X 1.50 X 25.

© 2019 Cummins Inc., Box 3005, Columbus, IN 47202-3005 U.S.A.  
Terms of Use and Disclaimers | Recommended System Requirements  
Need Assistance? Please click on the Contact Us button in the top right corner of any page.